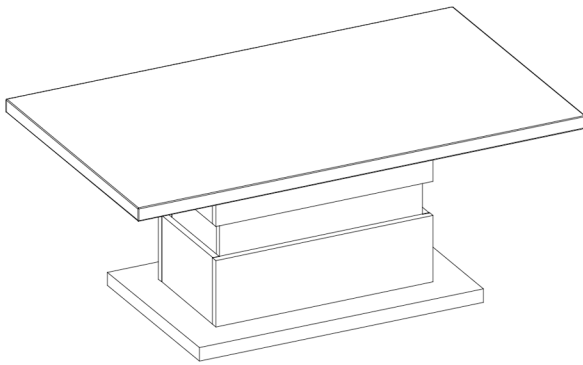
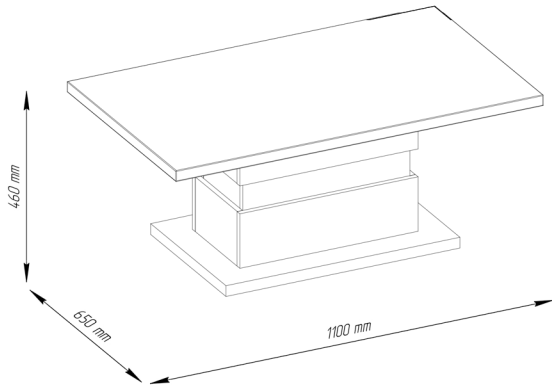


# DELIS

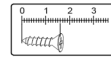
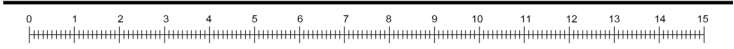
Typ T



45 min

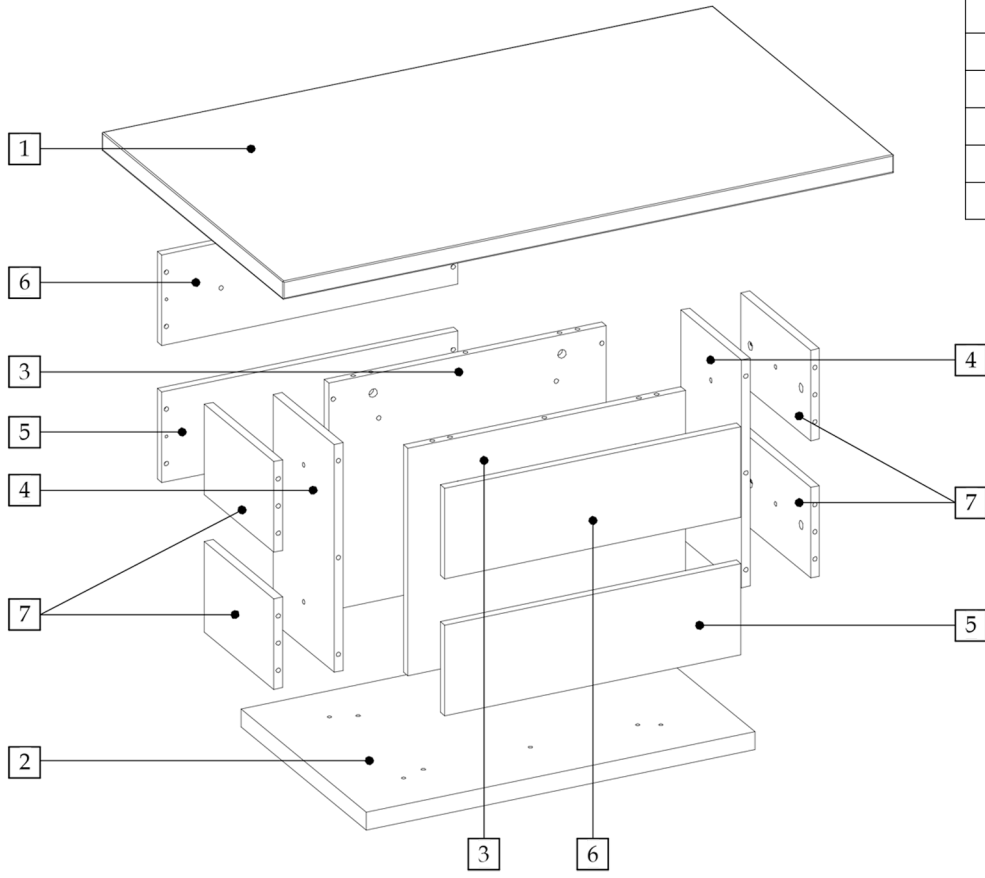


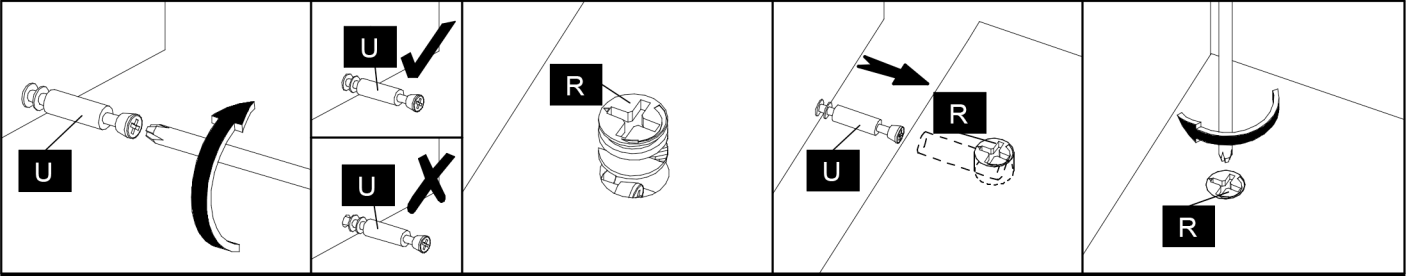
☺ ✓	⚠	☹ ✗	☺ ✓	⚠	☹ ✗



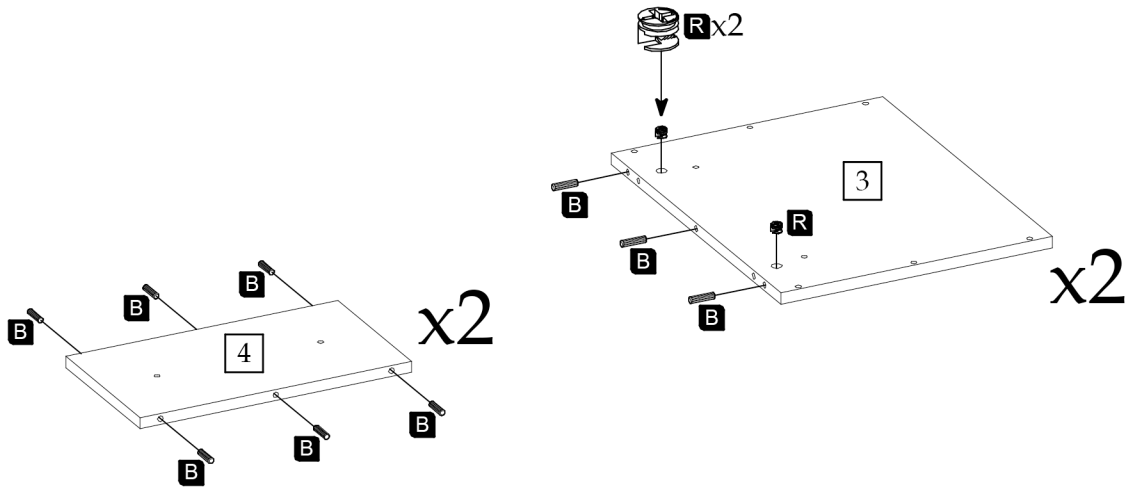
<b>A3</b> x10 	<b>B</b> x40 	<b>G2</b> x1 	<b>G3</b> x4 	<b>R</b> x12 
<b>U</b> x12 				

1	1100	650	32	1	1002	1/1
2	700	450	32	1	1005	1/1
3	402	500	16	2	1001	1/1
4	402	218	16	2	1012	1/1
5	533.5	160	16	2	1017	1/1
6	533.5	160	16	2	1018	1/1
7	250	160	16	4	1019	1/1

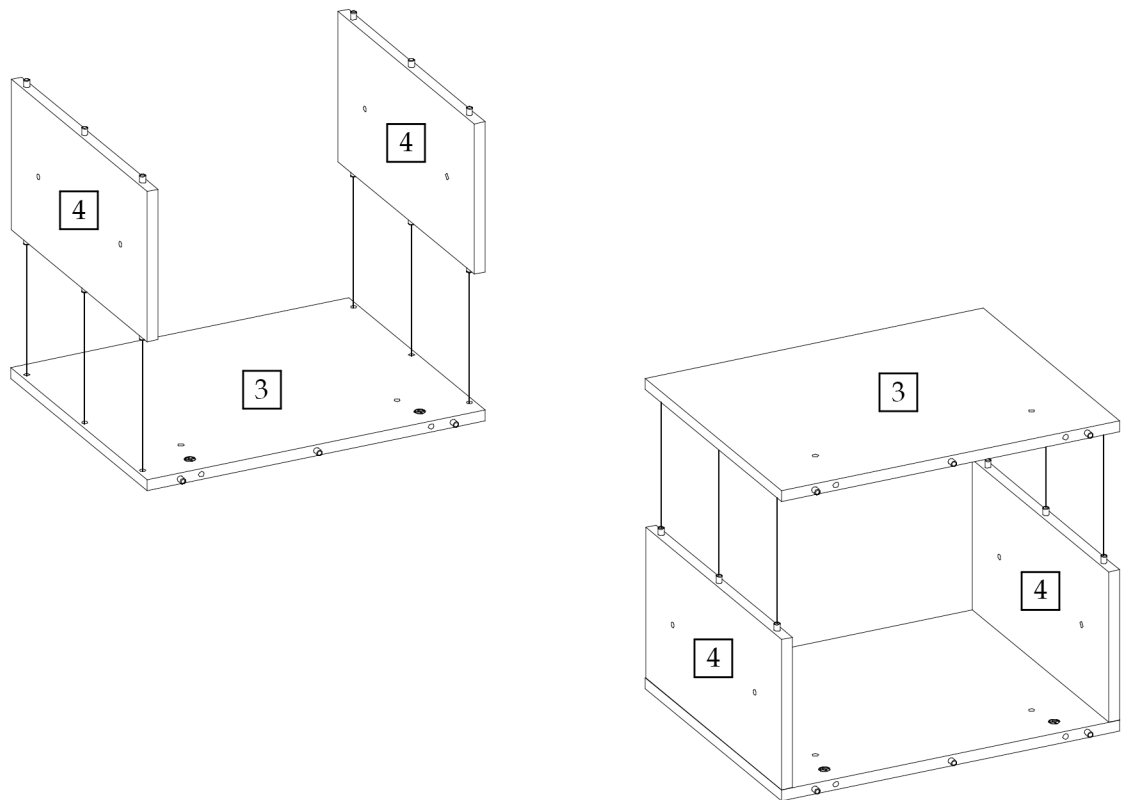




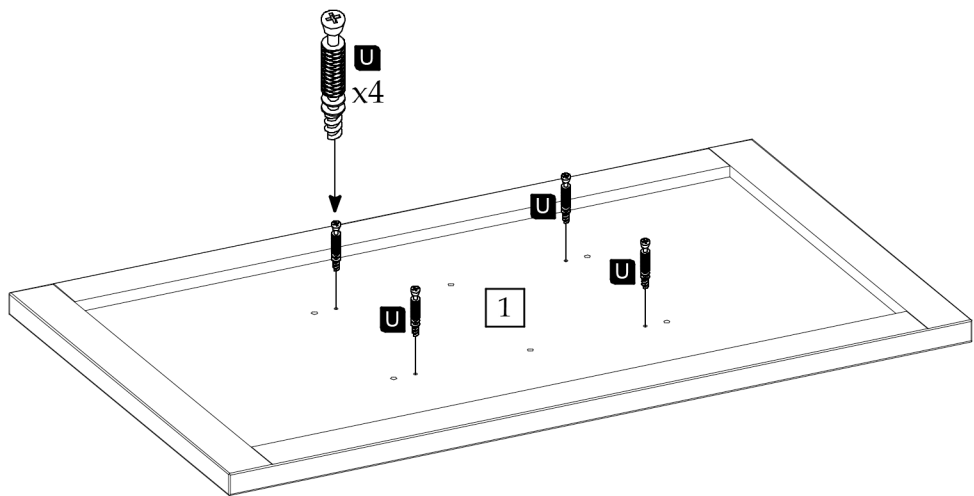
1



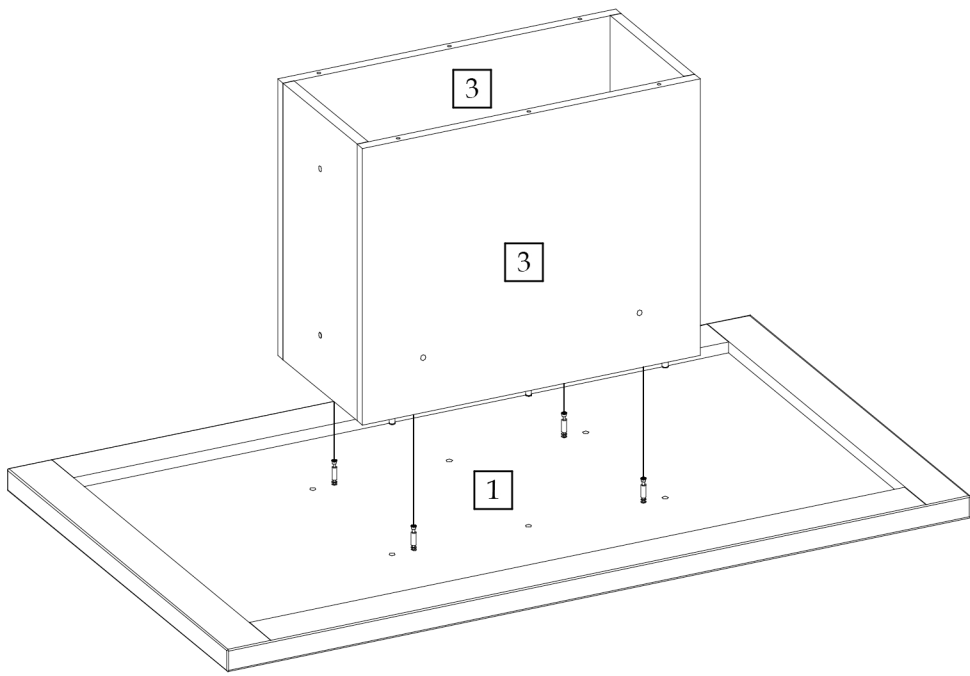
2



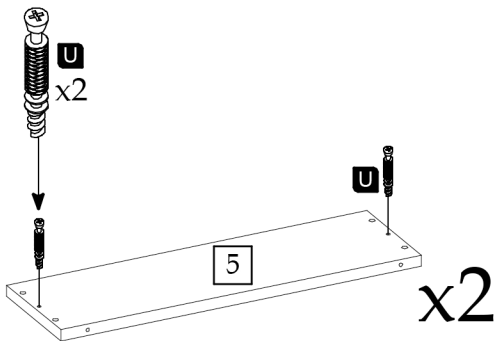
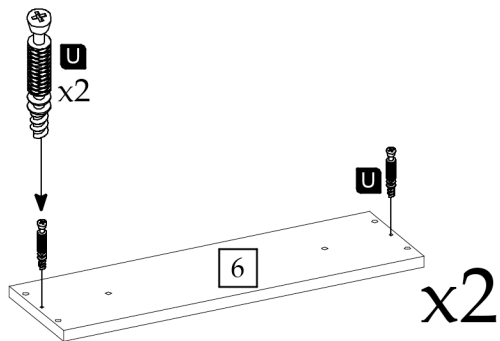
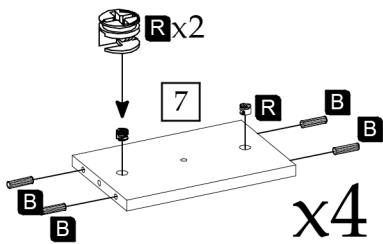
3



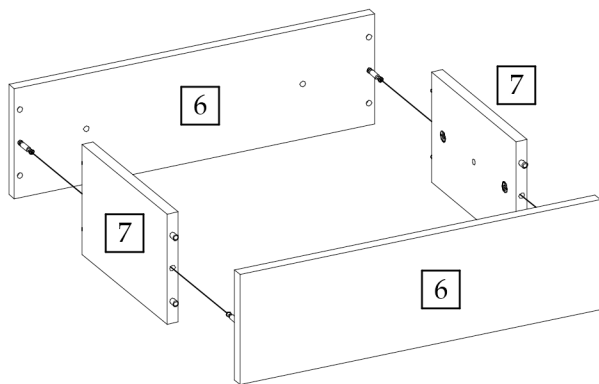
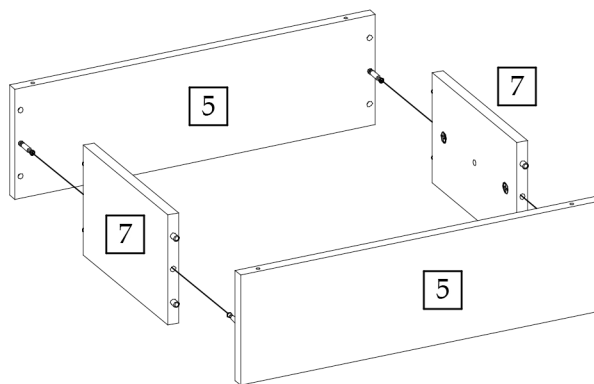
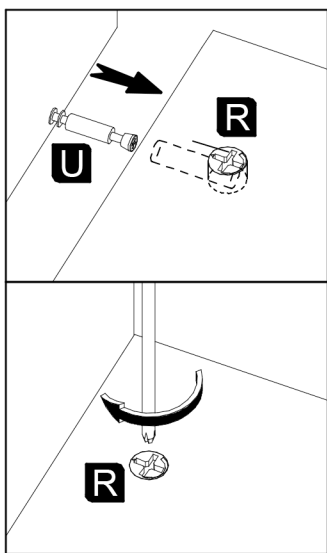
4



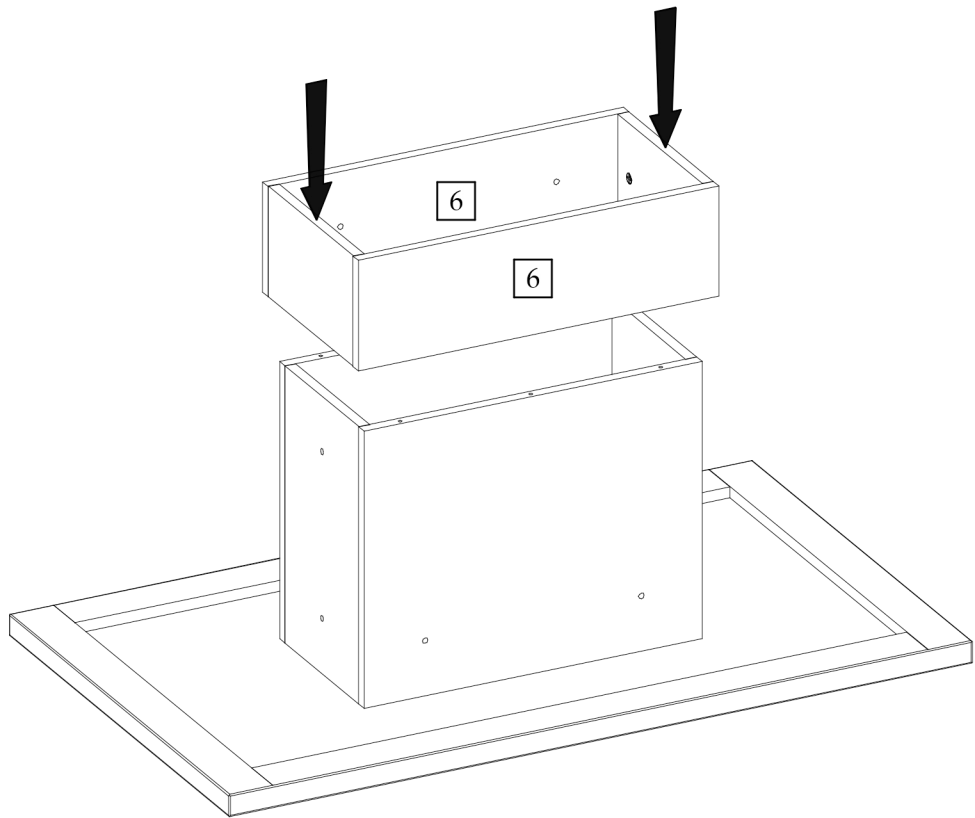
5



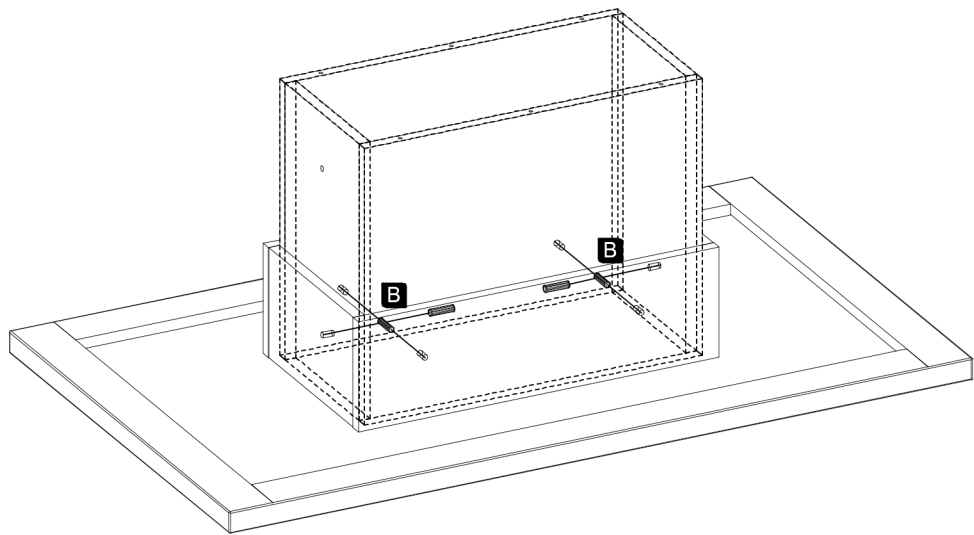
6



7

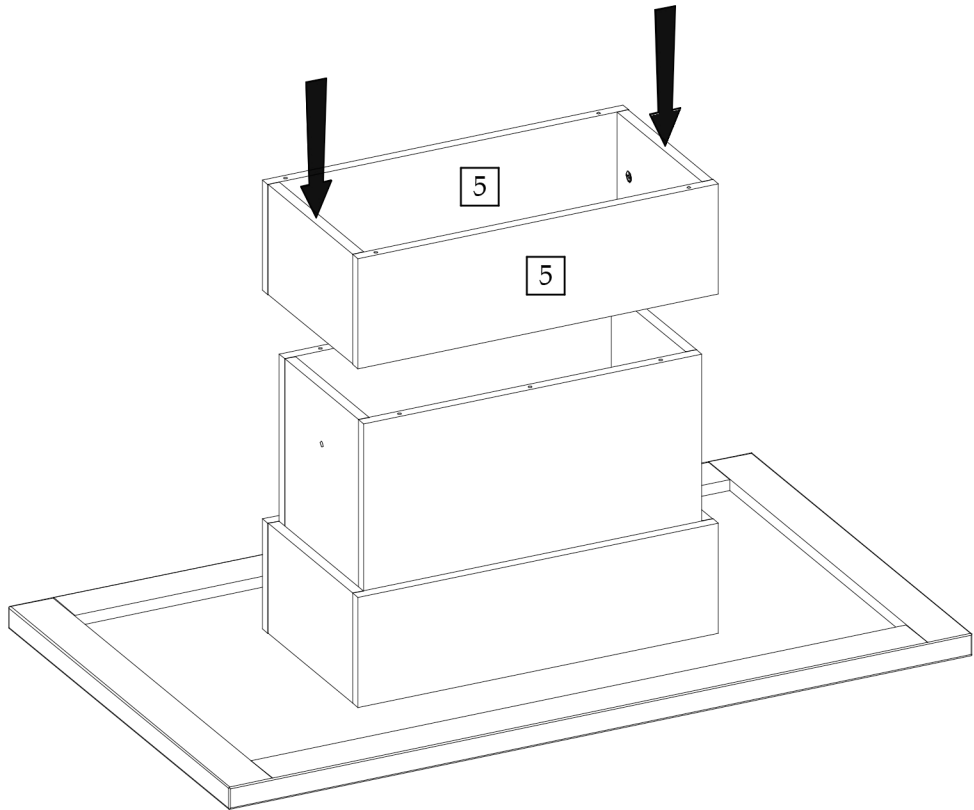


8



8

9



10

